

Agriculture Machine of Seed Sower, Weeder and Water Sprayer

Reena Majumdar¹, Ankita Date^{2*}, Sharda Dhoble³, Vijay Patle⁴, Tausif Sheikh⁵, Pratiksha Dhakate⁶

¹Assistant Professor, Department of Mechanical Engineering, Madhukarrao Pandav College of Engineering, Bhandara, India

^{2,3,4,5,6}B.E. Student, Department of Mechanical Engineering, Madhukarrao Pandav College of Engineering, Bhandara, India

*Corresponding author: ankitadate005@gmail.com

Abstract: In the farming process, often used conventional seeding operation takes more time and more labor. The seed feed rate is more but the time required for the total operation is more and the total cost is increased due to labor, hiring of equipment. The conventional seed sowing machine is less efficient, time consuming. Today's era is marching towards the rapid growth of all sectors including the agricultural sector. To meet the future food demands, the farmers have to implement the new techniques which will not affect the soil texture but will increase the overall crop production. Agriculture in India has a significant history. Today, India ranks second worldwide in farm output. Still, agriculture is demographically the broadest economic sector and plays a significant role in the overall socio-economic fabric of India.

Keywords: Fertilizer, Multi seeds, Seed sowing, Shovel, Sowing.

1. Introduction

Agriculture plays a vital role in Indian economy. Around 65% of population in the state is depending on agriculture. Today India in ranks second worldwide in farm output. India agriculture has an extensive background which goes back to at Least 10,000 years. In India each region has specific soil and Ultimate that is only suitable for certain type of farming. Many Region on the western side of India experience less than 50cm of rain annually. So that that is not possible there are three Different types of crop that are cultivated throughout in India. Each type is grow in a different season depending on their Compatibility with certain weather. The sowing method normally used in India is hand sowing. The hand sowing process normally used in India, but in this Process more labour is required. Now, day by day number of Labour is reduce, to overcome all this problem this project is Helpful for farmer. A seed sowing machine give accurate seed to seed distance. Times saving and save the effort of farmer. Farmer are also used this machine for spraying pesticide water. This machine is used as seed sowing along with water Pesticide.

Agriculture being one of the major occupations in India, it is very essential to discover and implement new idea in this field, though lot of work has been done in this area. It is unfortunate that, these ideas are not being implemented properly in actual

field. This is due to high cost and is complicated for rural people. Multipurpose agriculture equipment is basic and major equipment involved in agriculture for maximum yielding. Conventional method of planting and cultivating the sugarcane is a laborious process and hence for that reason there is a scarcity of labours, this result in delayed agriculture to overcome these difficulties, multipurpose agriculture equipment is designed. Agriculture plays a vital role in the Indian economy. Over 70 % of the rural households depend on agriculture. Agriculture is an important sector of Indian economy as it contributes about 8.4% to the total GDP and provides employment to over 60% of the population. Indian agriculture has registered impressive growth over last few decades.

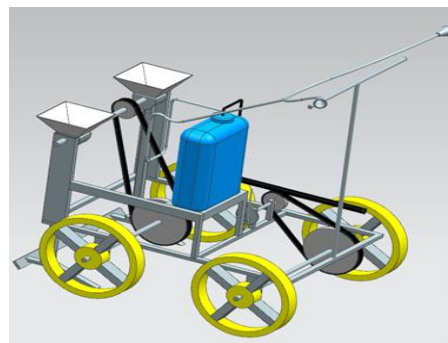


Fig. 1. Structure diagram

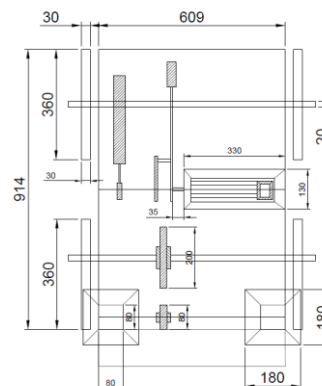


Fig. 2. Working principle

2. Application

- This project is mostly used in the agriculture purpose for multipurpose operation.
- This project is used to give the pesticide to vegetable.
- This project is used for gardening purpose.

3. Advantages

- It increased the productivity of the agriculture.
- It reduced the time of sprinkler the pesticide.
- The effort required is reduced.
- The capacity of the project is more for handling the large quantity of pesticide.
- Our project is mostly used in ruler areas where the electricity problem.
- No requirement of any A, C, electrical device require to run the project.
- Cost of our project is very less.
- The output of our project is very large as compared to electrically run pump.

4. Disadvantage

- In rainy seasons we cannot use its pump.

5. Conclusion

This paper presented an overview on agriculture machine of seed sower, weeder and water sprayer.

Acknowledgement

We express our sincere gratitude towards the faculty members who made this project work successful. We would like to express our thanks to our guide Prof. Reena Majumdar for hearted co-operation and valuable suggestions, technical guidance throughout the project work.

References

- [1] Jovan Marjanovic, "Angular Momentum Parametric Oscillator and over Unity," veljko Milkovic research &development center Novisad, Serbia, 2011.
- [2] Nebojsa Simm, "Free energy if oscillating pendulum lever system," 2007.
- [3] Jovan Marjanovic, "The secret of free energy from the pendulum," Veljko Milkovic research &development center Novisad, Serbia, 2011.
- [4] R. S. Khurmi & J. K. Gupta, "Theory of Machines," 14th edition, S. Chand publication, Delhi, 2005, pp. 75-86.
- [5] R. S. Khurmi & J.K. Gupta, "Machine Design," 1st edition, S. Chand publication.
- [6] R. K. Bansal, "Fluid Mechanics & Hydraulic Machines," 9th edition, Lakshmi publication, Delhi, 2010, pp. 993-995.
- [7] B.D. Shiwalkar, "Machine design."